

AUXILIARY DEADBOLT PLACEMENT SPECIFICATIONS

Vertical Alignment with Existing Hardware:

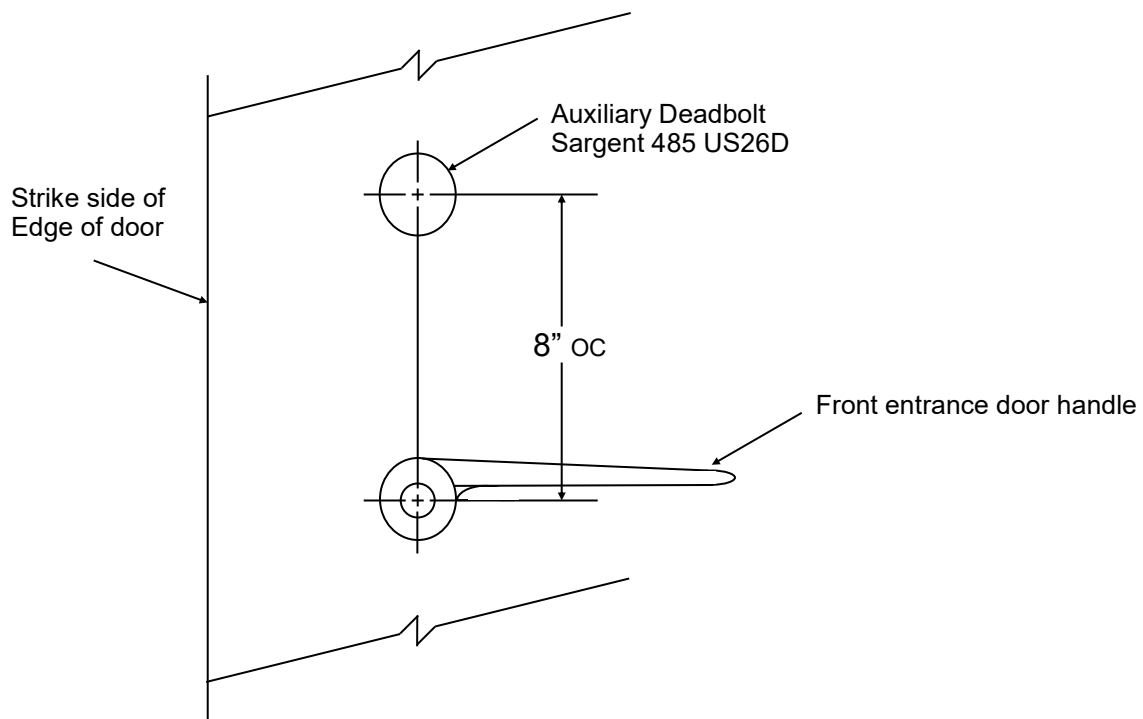
Centerline of auxiliary deadbolt is to vertically align with centerline of existing cylinder lock in the handle.

Horizontal Placement:

Bottom of auxiliary deadbolt is to be placed to create a 8" clear space, as measured on center of key cylinder ring.

Hardware Specification:

Sargent Mortise Cylinder – 485 US26D



WARNING: Deadbolts cannot be added to a fire rated door.